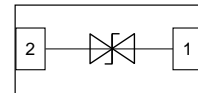


**: YUi fYg**

- 45Watts peak pulse power (tp = 8/20us)
- DFN0603-2 package
- Bidirectional configurations
- Solid-state silicon-avalanche technology
- Low clamping voltage
- Low leakage current
- Medium capacitance (CJ=0.45pF typ.)
- Protection one data/power line to:
  - IEC 61000-4-2 ±10kV contact ±15kV air
  - IEC 61000-4-4 (EFT) 40A (5/50ns)
  - IEC 61000-4-5 (Lightning) 5A (8/20µs)



**A YW Ub]WU`8 UHJ**

- **7 UgY.** DFN0603-2 (plastic package).  
Lead free; RoHS compliant; Halogen free
- **Ac`X]b[ `7 ca dci bX': `Ua a UW] ]miF UH]b[ .**  
UL 94 V-0
- **Hyfa ]bUg.** High temperature soldering guaranteed:  
260 °C/10 sec. at terminals

**Applications**

- Cell Phone Handsets and Accessories
- Personal Digital Assistants (PDA's)
- Microprocessor based equipment
- Notebooks, Desktops, and Servers
- Portable Instrumentation

**5 Vgc`i hY`AU ]a i a `FU]b[ g**

Ratings at 25 °C, ambient temperature unless otherwise specified

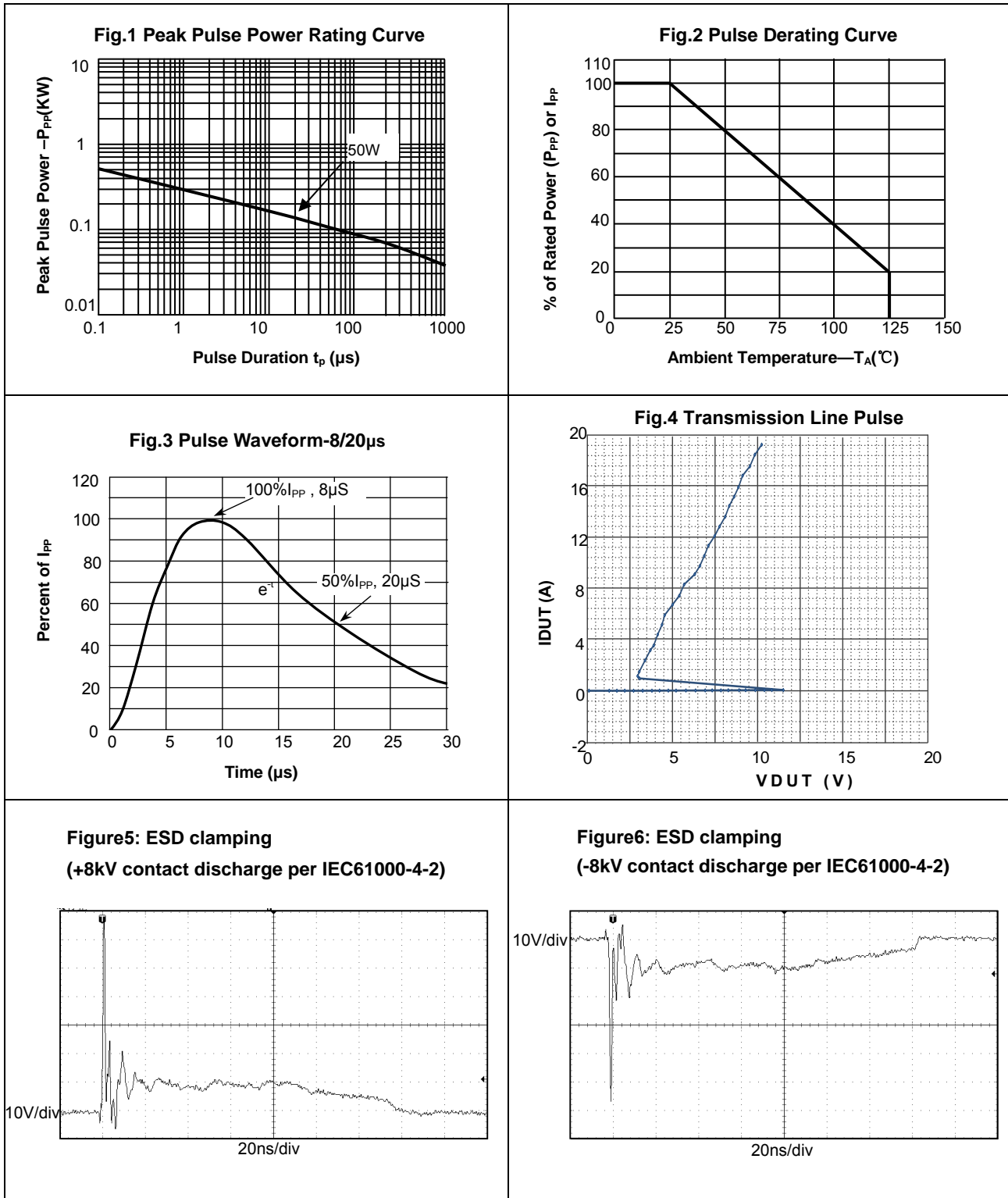
Parameter	Symbol	Value	Unit
Peak Pulse Power (TP=8/20µS)	PP	45	W
ESD contact/air discharge (IEC-61000-4-2)	VESD	10/15	kV
Peak Pulse Current (TP = 8/20µS)	IPP	5	A
Junction Temperature	TJ	-55 to +125	°C
Storage temperature	TSTG	-55 to +150	°C

**Electrical Characteristics**

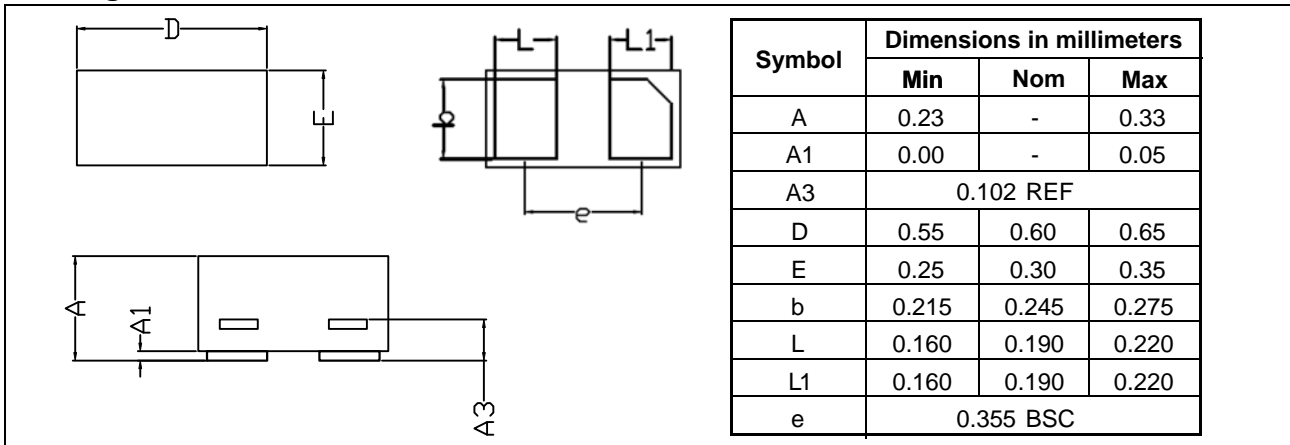
(TA = 25 °C unless otherwise specified)

Parameter	Symbol	Condition	Min	Typ	Max	Unit
Reverse stand-off Voltage	VRWM				8.0	V
Holding Voltage	VH	IT=IH	2.0		5.0	V
Holding Current	IH		15			mA
Reverse Leakage Current	IR	VRWM=7V			1	µA
Clamping Voltage	VC	IPP=5A, TP=8/20µs		6.5	8.0	V
Clamping Voltage(TLP)	VC	IPP=16A, TP=100ns		7.0		V
Trigger Voltage	VT		8		14	V
Dynamic Resistance	Rdyn	TP=100ns		0.4		Ω
Junction Capacitance	CJ	VR=0V, f=1MHz		0.45		pF

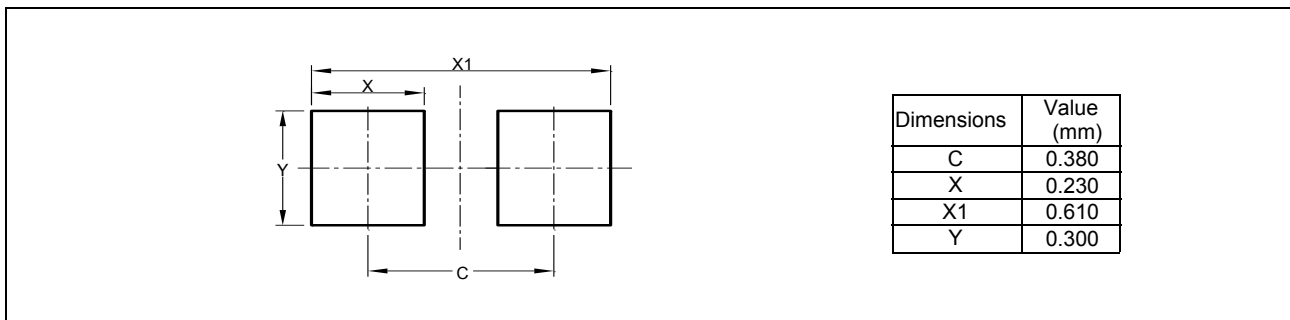
**Typical Characteristics** ( $T_{amb} = 25\text{ }^{\circ}\text{C}$  unless otherwise specified)



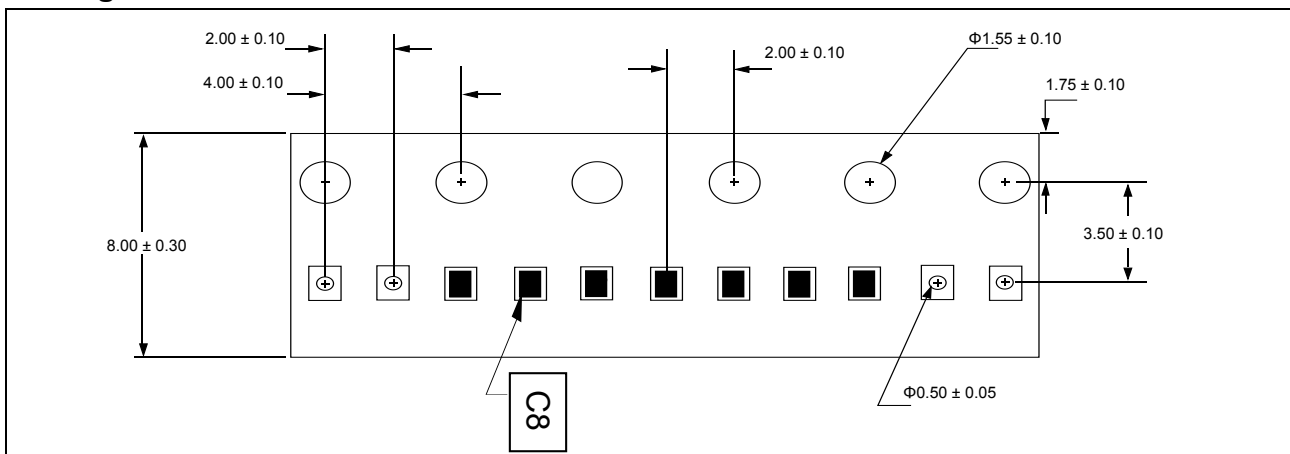
**Package Dimensions**



**Pad Dimensions**



**Package Information**



**Ordering information**

Order code	Marking	Package	Packaging option	Base quantity	Packaging specification
YEUD0620805AB	C8	DFN0603-2	Tape and reel	10000pcs / reel	EIA STD RS-481